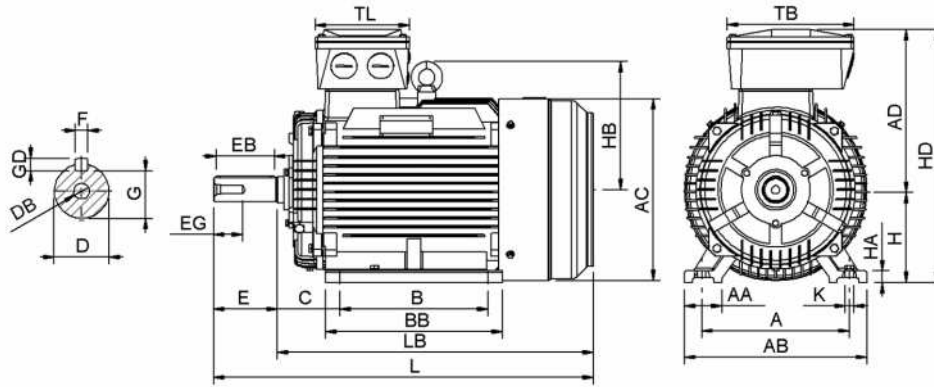


# Data Sheet

Itemnumber....: 5542250100



A = 356	AC = 445	BB = 369	DB = M20	EG = 56	GD = 11	HB = 285	L = 823	TB = 260
AA = 75	AD = 336	C = 149	E = 140	F = 18	H = 225	HD = 561	LB = 683	TL = 192
AB = 431	B = 286	D = 60	EB = 130	G = 53	HA = 28	K = 4	LE = 772	

### Version

Type.....: HMC3 225S-4  
 Design.....: Induction motor  
 Standard series.....: IEC 60034  
 Phase / Voltage range.....: 3~ / Low

### Electrical design

Efficiency.....: IE3  
 Pole.....: 4  
 Power at 50 Hz (kW).....: 37,0  
 Hz.....: 50  
 Voltage.....: 400VD/690VY  
 Winding voltage.....: 400VD/690VY 50 Hz  
 Power output (kW).....: 37,0  
 Duty.....: S1  
 Insulation class.....: F  
 Temperature rise.....: B

### Motor protection

Thermal protection main....: PTC 3x 155 dgr  
 Thermal protection second..: None  
 Space heater.....: None  
 Temperature detector.....: No  
 SPM.....: No  
 IR wire.....: No  
 Tropical insulation.....: No

### Explosion protection

According to.....: None  
 Type of protection.....: None

### General

Direction of rotation.....: CW  
 Painting.....: RAL 9005 Gloss 10  
 Nameplate.....: Multivoltage  
 Special packing.....: No  
 Special requirements.....: No

### Mechanical design

Frame size.....: 225  
 Mounting.....: B3  
 Rain cap.....: No  
 Protection class.....: IP55  
 Cooling method.....: IC411/TEFC  
 External grounding.....: Yes  
 Drain hole.....: Yes  
 Frame material.....: Cast Iron  
 Material approval.....: None  
 Shaft.....: IEC standard  
 Key.....: Closed key  
 Balancing.....: Half key balancing  
 Vibration class.....: Grade-A  
 Weight (kg).....: 315

### Environment condition

Ambient temp. min. (°C)..: -20  
 Ambient temp. max. (°C)..: 40  
 Altitude (mtr up to).....: 1000

### Bearing

DE Bearing.....: 6313/C3  
 NDE Bearing.....: 6312/C3  
 Fixed bearing.....: DE

### Terminal box

Tbox position.....: Top  
 Cable entry direction.....: Right (from DE)  
 Cable entry  
     Main.....: 2 x M50x1,5  
                     Metal blindcaps  
     Accessory.....: 2 x M20x1,5  
                     Metal blindcaps  
 Connection type.....: Delta (D)  
 Terminal board thread.....: 6-M8

### Test values

Rotor inertia (kgm²).....: 0,61  
 Noise level (dB(A)).....: 73  
 No load current (A).....: 22,4  
 Winding resist. (ohm).....: 0,16  
 Starting time (sec.).....: 0,15  
 Temp. rise winding (K).....: 59  
 Temp. rise surface (K).....: 42

Rated power (kW)	37,0	36,0	44,5	43,0
Frequency (Hz)	50	50	60	60
Voltage (V)	400 690	380 660	480 830	440
Connection	D Y	D Y	D Y	D
Full load current (A)	66,5 38,5	68,5 39,5	66,5 38,5	68,5
Speed (rpm)	1480	1480	1780	1780
Power factor cos(phi)	0,86	0,87	0,86	0,88
Efficiency, 100/75/50 (%)	93,9/94,3/93,8	93,9/94,3/93,8	93,9/94,3/93,8	93,5/93,9/93,4
Ist/In	7,9	7,0	7,9	7,3
Full load torque (Nm)	238	232	238	232
Tst/Tn	3,1	2,9	3,1	2,7
Tmax /Tn	3,3	3,1	3,3	2,9
Duty	S1	S1	S1	S1
Ambient temp. (°C)	40	45	40	45